



CVE Shop Stainless Steel Flap Shutters are manufactured from 304 Grade stainless.

Made for surface mounting for extract ducts. Easy fix four hole fixing to wall with screws and plugs provided.

Gasket seal between wall and shutter. Spigot on rear push fit into extract ducts.

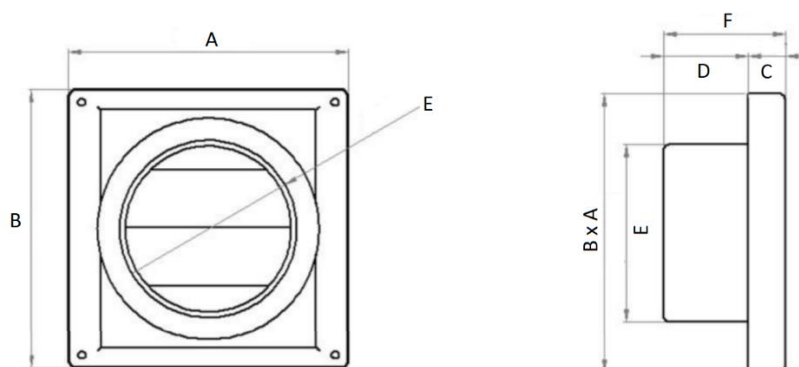
Operating temperatures -15°C to +60°C

The standard finish for this product is Stainless Steel 304. Should you require an alternative colour, we can powder coat your louvre to match any RAL/BS colour required.

Options and Accessories

- Bird mesh or fly screen can be fitted to rear

Sizes Available / Dimensions						
CVE Product Code	A Width	B Height	C Projection	D Neck Length	E Neck Diameter	F Overall
CVSSFS-100	150mm	150mm	20mm	45mm	95mm	65mm
CVSSFS-125	180mm	180mm	20mm	50mm	120mm	70mm
CVSSFS-150	180mm	180mm	20mm	50mm	145mm	70mm



Technical Data						
CVE Product Code	Vol	Res	Vol	Res	Vol	Res
CVSSGS-100	30m ³ h	17Pa	60m ³ h	28Pa	80m ³ h	34Pa
CVSSGS-125	40m ³ h	28Pa	90m ³ h	45Pa	130m ³ h	58Pa
CVSSGS-150	60m ³ h	28Pa	130m ³ h	93Pa	190m ³ h	132Pa

